

Interface Masters

TECHNOLOGIES

Innovative Network Solutions



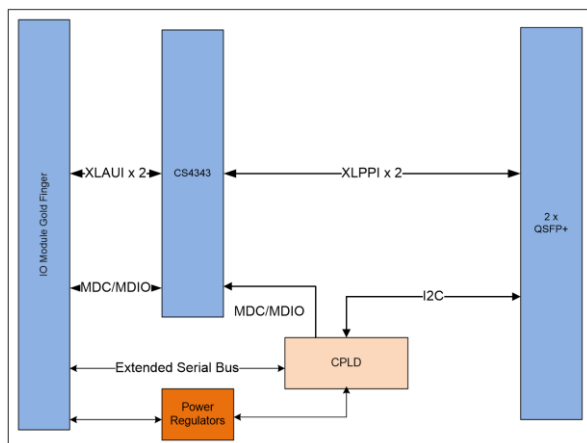
(I/O Module with 2 x 40G QSFP)

OVERVIEW

This single-wide Tahoe 8724/8824 module supports two (2) ports of 40GbE. This field-upgradeable I/O module is mechanically compatible with current (revision B and newer) Tahoe 8724/8824 chassis designs and consumes one of the two available I/O bays.

Other Tahoe 8724/8824 I/O modules are available which support either eight-ports of 10G SFP+, two-ports of 25G SFP28 and a double-wide version supporting 4 ports of 100G plus 12 ports of 10G. New I/O modules are in development -- please contact our sales office for the latest list of I/O modules.

Interface Masters provides support for the Cavium SDK on multiple Linux distributions. Additional software and firmware enables rapid application development. Interface Masters offers Layer 1 and 2 support as well as software application development capabilities.



Block Diagram of IM13264 (I/O module with 2 ports of 40G QSFP)

PRODUCT FEATURES

- Supports two-ports of 40G QSFP
- Each port supports a variety of SFP modules/cables: QSFP/SFP+ SR/LR/ER
- Leverages full capabilities of Tahoe 8724/8824 host system:
 - Cavium CN7890 control plane
 - RS-232 console port
 - 10/100/1000 LAN management port
 - Optional security (FIPS, GPS, tamper proofing)
 - Complete SDK tools for custom development
- Other field-replaceable I/O modules:
 - 8 x 10G SFP+
 - 2 x 25G SFP28
 - Intel x86 off-load processor (in-development)
 - 4 x 100G QSFP+ plus 12 x 10G SFP+ (in-development)
- Operating System
 - Linux with Cavium SDK

TARGET APPLICATIONS

Target applications include network security appliance, Network Function Virtualization (NFV), Software Defined Networks (SDN), SSL/IPSec offload processing, 3G / 4G / LTE gateways, Unified Threat Management (UTM), Intrusion Detection Systems (IDS), Intrusion Prevention System (IPS), Data Loss Prevention (DLP), WAN optimization, Application Delivery Controllers (ADC), wireless controllers and load balancers.

| ENVIRONMENTAL | |
|-----------------------|------------------------------|
| Operating Temperature | 0° to 40 °C (32° to 104°F) |
| Storage Temperature | -20° - 65°C (-4°F to 149°F) |
| Operating Humidity | 10 to 90% RH, non-condensing |
| Storage Humidity | 5 to 95% RH, non-condensing |

| COMPLETE TAHOE 8724/8824 SYSTEM DIMENSIONS | | |
|--|--------|------------|
| | Inches | Millimeter |
| Length | 17.50 | 445 |
| Height | 1.73 | 44.0 |
| Width | 17.25 | 439.0 |

| RELATED PRODUCTS ORDERING INFORMATION | |
|---------------------------------------|---|
| Part Number | Description |
| Tahoe8724-CN7890-1800 | Standard base system Tahoe 8724 with no I/O modules. OCTEON III CN7890 (48 Core 1800MHz) CPU, 64GB |
| Tahoe8724-CN7890-1800-TPM | Standard TPM version base system Tahoe 8724 with no I/O modules. OCTEON III CN7890 (48 Core 1800MHz) CPU, 64GB. Integrated Trusted Platform Module. |
| IM13233 | I/O module with 8 x 10G SFP+ |
| IM13262 | I/O module with 2 x 25G SFP28 |
| IM13264 | I/O module with 2 x 40G QSFP |
| IM13266 | Double-wide I/O module with 4 x 100G QSFP28 and 24 x 10G SFP+ |

CUSTOMIZATION SERVICES

Hardware, Firmware, Linux O/S and application code development services available.



ABOUT INTERFACE MASTERS TECHNOLOGIES, INC.

Interface Masters Technologies is a long term Cavium partner and leading provider of high speed networking solutions focused on Gigabit, 10 Gigabit, 40 Gigabit and 100 Gigabit Ethernet networking solutions. For over 20 years, Interface Masters Technologies has been providing innovative networking solutions with customization services to OEMs, large enterprises and sophisticated end users. Interface Masters Technologies provides Ethernet switches, appliances, server adapter cards with high port density, networking offload and bypass functionality. Company headquarters are located in San Jose, CA with satellite offices in Hong Kong and Europe.