

## Interface Masters

TECHNOLOGIES

Innovative Network Solutions

### OVERVIEW

Interface Masters presents Tahoe 2728, a semi-modular 1U switch appliance based on Broadcom's Trident III switch fabric and managed by an Intel x86 control plane.

This semi-modular appliance supports two rear-facing I/O bays and can be upgraded with either an off-the-shelf Intel XEON® D based offload processing module or a 100G port based module. Additional rear-facing I/O modules can be developed based on your design requirements.

In standard configuration, Tahoe 2728 supports twenty-eight (28) ports of 100/40G QSFP28, eight (8) ports of 25G SFP28 and two (2) ports of 1/10G SFP+. Additional port configurations can be developed.

Software configurations include white box with ONIE and a complete SDK tool set for custom development. OpenSwitch support is currently in development. Open Flow and software partner solutions available.

Interface Masters proudly designs and manufactures all our products in the USA.



Tahoe 2728 OpenSwitch Platform (ISO View)

## Product Features

### Broadcom Trident III Switch Fabric

- 28 ports of 100/40G QSFP28
- 8 ports of 25G SFP28
- 2 ports of 1/10G SFP+

### Intel Control Plane

- Powerful x86 control plane

### Intel XEON® D Off-Load Processing I/O Modules

- Two powerful Intel off-load processing modules

### Dual Redundant Hot-Swappable Power Supplies

- High-efficiency power supplies (AC/DC or DC/DC)

### Field Replaceable Fans

- Field replaceable fans (multiple airflow options)

### Management Interfaces

- Dedicated RS-232 console port
- Dedicated 10/100/1000 management port

### Security

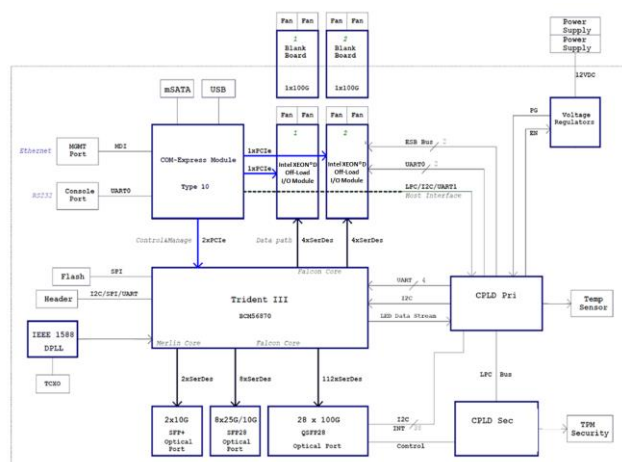
- Standard Trusted Platform Module (TPM)
- Optional security (FIPS 104-2 Level 3, GPS, tamper proofing)

### Other

- Standard IEEE-1588 PTP support

## Software

- ONIE – Open Network Install Environment
- SDK Broadcom tool set (with complete hardware specific SDK tools for custom development)
- Custom development and support



Block Diagram of Tahoe 2728

ENVIRONMENTAL	
Operating Temperature	0° to 40 °C (32° to 104°F)
Storage Temperature	-20° - 65°C (-4°F to 149°F)
Operating Humidity	5 to 85%, non-condensing
Airflow	100+lf/m

DIMENSIONS (Preliminary)		
	Inches	Millimeter
Length	24.25	615.95
Height	1.75	44.45
Width	17.25	438.15

PRELIMINARY POWER CONSUMPTION	
Typical	Maximum
TBD	240W (Estimated)

ORDERING INFORMATION	
Part Number	Description
Tahoe 2728	Advanced Broadcom Trident III switching appliance with 28 ports of 100/40G QSFP28, 8 ports of 25G SFP28 and 2 ports of 1/10G SFP+. Intel x86 powerful control plane. Supports two I/O Bays.
IM13288	I/O module with Intel off-load processor, plus fans.
IM13289	I/O module: Port based, configured as 1 x 100G (pass-through) plus fans.

## CUSTOMIZATION SERVICES

Hardware, Firmware, Linux O/S and application code development services available.



## ABOUT INTERFACE MASTERS TECHNOLOGIES, INC.

Interface Masters Technologies is a long term Cavium partner and leading provider of high speed networking solutions focused on Gigabit, 10 Gigabit, 40 Gigabit and 100 Gigabit Ethernet networking solutions. For over 20 years, Interface Masters Technologies has been providing innovative networking solutions with customization services to OEMs, large enterprises and sophisticated end users. Interface Masters Technologies provides Ethernet switches, appliances, server adapter cards with high port density, networking offload and bypass functionality. Company headquarters are located in San Jose, CA with satellite offices in Hong Kong and Europe.

XEON® D is trademark of Intel Corporation.