

Interface Masters

TECHNOLOGIES

Innovative Network Solutions

OVERVIEW

Interface Masters presents Tahoe 2732, a semi-modular 1U switch appliance based on Broadcom's Trident III switch fabric and managed by an Intel x86 control plane.

This semi-modular appliance supports two rear-facing I/O bays and can be upgraded with either/both of the following off-the-shelf modules:

- Intel XEON® D offload processing module.
- 100G port based module.

Tahoe 2732 supports thirty (30) standard ports 100/40G QSFP28. Port count can be increased to thirty-two (32) ports of 100/40G when configured with two rear-facing 100G I/O modules.

Software configurations include white box with ONIE and a complete SDK tool set for custom development. OpenSwitch support is currently in development. Open Flow and software partner solutions available.

Interface Masters proudly designs and manufactures all our products in the USA.



Tahoe 2732 OpenSwitch Platform (ISO View)

Product Features

Broadcom Trident III Switch Fabric

- 30 front-facing ports of 100/40G QSFP28 (configurable to 32 ports 100/40G ports when mated with optional rear-facing I/O modules)
- 2 ports of 1/10G SFP+

Intel Control Plane

- Powerful x86 control plane

Intel XEON® D Off-Load Processing I/O Modules

- Two powerful Intel off-load processing modules

Dual Redundant Hot-Swappable Power Supplies

- High-efficiency power supplies (AC/DC or DC/DC)

Field Replaceable Fans

- Field replaceable fans (multiple airflow options)

Management Interfaces

- Dedicated RS-232 console port
- Dedicated 10/100/1000 management port

Security

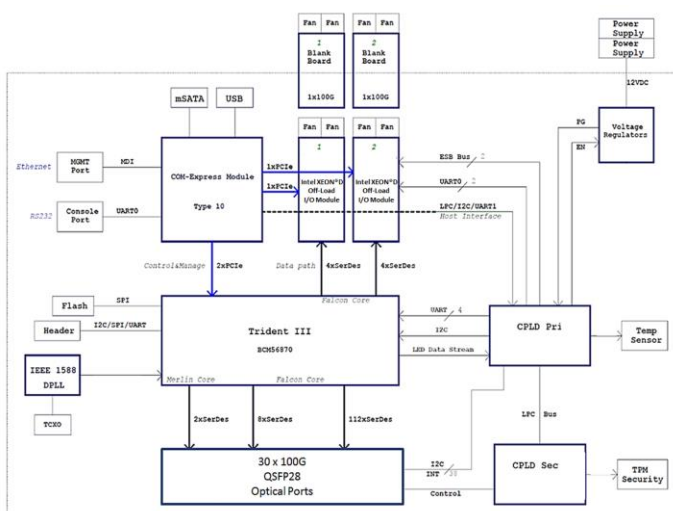
- Standard Trusted Platform Module (TPM)
- Optional security (FIPS 104-2 Level 3, GPS, tamper proofing)

Other

- Standard IEEE-1588 PTP support

Software

- ONIE – Open Network Install Environment
- SDK Broadcom tool set (with complete hardware specific SDK tools for custom development)
- Custom development and support



Block Diagram of Tahoe 2732

ENVIRONMENTAL	
Operating Temperature	0° to 40 °C (32° to 104°F)
Storage Temperature	-20° - 65°C (-4°F to 149°F)
Operating Humidity	5 to 85%, non-condensing
Airflow	100+lf/m

DIMENSIONS (Preliminary)		
	Inches	Millimeter
Length	24.25	615.95
Height	1.75	44.45
Width	17.25	438.15

PRELIMINARY POWER CONSUMPTION	
Typical	Maximum
TBD	240W (Estimated)

ORDERING INFORMATION	
Part Number	Description
Tahoe 2732	Advanced Broadcom Trident III switching appliance with 30 ports of 100/40G QSFP28 (configurable to 32 ports of 100/40G with optional rear facing I/O modules). Intel x86 powerful control plane. Supports two I/O Bays.
IM13288	I/O module with Intel off-load processor, plus fans.
IM13289	I/O module: Port based, configured as 1 x 100G (pass-through) plus fans.

CUSTOMIZATION SERVICES

Hardware, Firmware, Linux O/S and application code development services available.



ABOUT INTERFACE MASTERS TECHNOLOGIES, INC.

Interface Masters Technologies is a long term Cavium partner and leading provider of high speed networking solutions focused on Gigabit, 10 Gigabit, 40 Gigabit and 100 Gigabit Ethernet networking solutions. For over 20 years, Interface Masters Technologies has been providing innovative networking solutions with customization services to OEMs, large enterprises and sophisticated end users. Interface Masters Technologies provides Ethernet switches, appliances, server adapter cards with high port density, networking offload and bypass functionality. Company headquarters are located in San Jose, CA with satellite offices in Hong Kong and Europe.

XEON® D is trademark of Intel Corporation.