

Interface Masters



Innovative Network Solutions

OVERVIEW

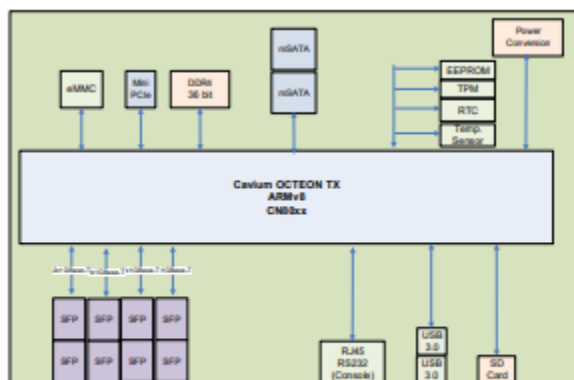
Tahoe 8818 from Interface Masters Technologies is a compact, highly flexible networking appliance designed for SOHO and branch office installations. It is based on the latest ARMv8 technology from Cavium. It supports DPDK for applications that require highly efficient data processing.

Tahoe 8818 features low power consumption, a small form factor, and eight RJ45 ports for 10/100/1000 Ethernet. This unit comes with an optional GPS port and TPM. Customization services are offered.

Interface Masters provides support for the Cavium SDK on multiple Linux distributions. Additional software and firmware enables rapid application development. Interface Masters offers Layer 1 and 2 support as well software application development capabilities.

Target applications include vCPE, vGW, IOT GW, Access Points, SMB router Network Security Appliances such as:

- Unified Treat Management (UTM),
- Intrusion Detection Systems (IDS),
- Intrusion Prevention System (IPS),
- Data Loss Prevention (DLP), and
- Content Management Systems (CMS)



Block Diagram of Tahoe 8818



Product Currently in Development - Photo For Placement Only

PRODUCT FEATURES

CPU

- Cavium OCTEON TX CN8010 (1 Core at 800 / 1,000 / 1,200 / 1,500 MHz)
- Cavium OCTEON TX CN8020 (2 Core at 800 / 1,000 / 1,200 / 1,500 MHz)

DRAM

- DDR4, up to 8GB ECC

Non-Volatile Memory

- SPI NOR Flash
- eMMC
- Micro SD
- 2 x mSATA 3.0

I/O Interfaces

- 8 x 10/100/1000 Base-T Ethernet
- 1 x 10/100/1000 management port
- 1 x RS232 console port
- 2 x USB 3.0
- 1 x mini PCI-e x1

Functions

- Real time clock
- Temperature sensor
- Optional GPS
- Optional TPM

Power Supply

- Internal (built-in)

Operating System

- Linux Cavium SDK

ENVIRONMENTAL	
Temperature	0° to 40 °C
Storage Temperature	-40° to +85° C
Operating Humidity	10 to 90% relative humidity non-condensing
Storage Humidity	5 to 95% relative humidity non-condensing

DIMENSIONS		
	Inches	Millimeter
Length	9.44	240
Height	1.85	47
Width	5.82	148

ORDERING INFORMATION	
Part Number	Description
Tahoe8818-CN8010-800	Tahoe8818 with OCTEON TX CN8010 at 800 MHz
Tahoe8818-CN8010-1000	Tahoe8818 with OCTEON TX CN8010 at 1000 MHz
Tahoe8818-CN8010-1200	Tahoe8818 with OCTEON TX CN8010 at 1200 MHz
Tahoe8818-CN8010-1500	Tahoe8818 with OCTEON TX CN8010 at 1,500 MHz
Tahoe8818-CN8020-800	Tahoe8818 with OCTEON TX CN8020 at 800 MHz
Tahoe8818-CN8020-1000	Tahoe8818 with OCTEON TX CN8020 at 1000 MHz
Tahoe8818-CN8020-1200	Tahoe8818 with OCTEON TX CN8020 at 1200 MHz
Tahoe8818-CN8020-1500	Tahoe8818 with OCTEON TX CN8020 at 1,500 MHz

CUSTOMIZATION SERVICES

Hardware, Firmware, Linux O/S and application code development services available.



ABOUT INTERFACE MASTERS TECHNOLOGIES, INC.

Interface Masters Technologies is a long term Cavium partner and leading provider of high speed networking solutions focused on Gigabit, 10 Gigabit, 40 Gigabit and 100 Gigabit Ethernet networking solutions. For over 20 years, Interface Masters Technologies has been providing innovative networking solutions with customization services to OEMs, large enterprises and sophisticated end users. Interface Masters Technologies provides Ethernet switches, appliances, server adapter cards with high port density, networking offload and bypass functionality. Company headquarters are located in San Jose, CA with satellite offices in Hong Kong and Europe.

Address: 150 East Brokaw Rd., San Jose, CA 95112
 Phone: 408-441-9341
 Fax: 815-364-0888
 Email: sales@interfacemasters.com
 Web: www.interfacemasters.com

Copyright © 2018 Interface Masters Technologies, Inc.
 Product specifications subject to change without notice
 Rev A

Interface Masters
 TECHNOLOGIES
 Innovative Network Solutions