

Interface Masters



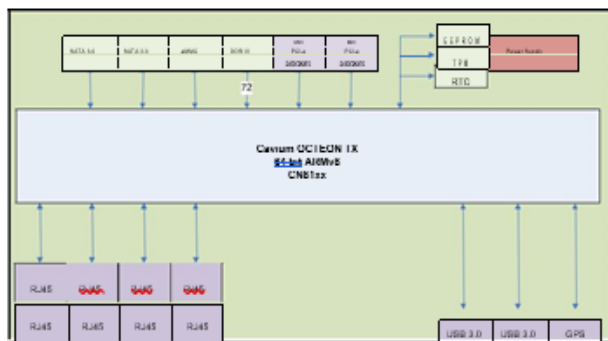
OVERVIEW

Tahoe 8820 from Interface Masters Technologies is a compact, highly flexible networking appliance designed for SOHO and branch office installations. It is based on latest ARMv8 technology from Cavium. It supports DPDK for applications that require highly efficient data processing. Tahoe 8820 features low power consumption, a small form factor, and eight RJ45 ports for 10/100/1000 Ethernet. This unit comes with an optional GPS port and TPM. Customization services are offered.

Interface Masters provides support for the Cavium SDK on multiple Linux distributions. Additional software and firmware enables rapid application development. Interface Masters offers Layer 1 and 2 support as well software application development capabilities.

Target applications include vCPE, vGW, IOT GW, Access Points, SMB router Network Security Appliances such as:

- UTM (Unified Threat Management),
- IDS (Intrusion Detection Systems),
- IPS (intrusion Prevention System),
- DLP (Data Loss Prevention), and
- CMS (Content Management Systems)



Block Diagram of Tahoe 8820



Product Currently in Development - Photo For Placement Only

PRODUCT FEATURES

CPU

- Cavium OCTEON TX CN8120 (2 Core at 1,200 / 1,500 / 1,800 / 2,000 MHz)
- Cavium OCTEON TX CN8130 (4 Core at 1,200 / 1,500 / 1,800 / 2,000 MHz)

DRAM

- 8 GB DDR III with ECC

None Volatile Memory

- SPI NOR Flash
- eMMC
- Micro SD
- 2 x SATA 3.0

I/O Interfaces

- 8 x 10/100/1000 Ethernet
- 2 x SATA 3.0
- 2 x USB 3.0
- 2 x mini PCI-e x1

Functions

- Real time clock
- Temperature sensor
- Optional GPS
- Optional TPM

Power Supply

- Internal (built-in)

Operating System

- Linux Cavium SDK

ENVIRONMENTAL	
Operating Temperature	0° to 40 °C
Storage Temperature	-40° to +85° C
Operating Humidity	10 to 90% relative humidity non-condensing
Storage Humidity	5 to 95% relative humidity non-condensing

DIMENSIONS		
	Inches	Millimeter
Length	9.44	240
Height	1.85	47
Width	5.82	148

CUSTOMIZATION SERVICES

Hardware, Firmware, Linux O/S and application code development services available.



ORDERING INFORMATION	
Part Number	Description
Tahoe8820-CN8120-1200	Tahoe8820 with OCTEON TX CN8120 at 1200 MHz
Tahoe8820-CN8120-1500	Tahoe8820 with OCTEON TX CN8120 at 1500 MHz
Tahoe8820-CN8120-1800	Tahoe8820 with OCTEON TX CN8120 at 1800 MHz
Tahoe8820-CN8120-2000	Tahoe8820 with OCTEON TX CN8120 at 2000 MHz
Tahoe8820-CN8130-1200	Tahoe8820 with OCTEON TX CN8130 at 1200 MHz
Tahoe8820-CN8130-1500	Tahoe8820 with OCTEON TX CN8130 at 1500 MHz
Tahoe8820-CN8130-1800	Tahoe8820 with OCTEON TX CN8130 at 1800 MHz
Tahoe8820-CN8130-2000	Tahoe8820 with OCTEON TX CN8130 at 2000 MHz

ABOUT INTERFACE MASTERS TECHNOLOGIES, INC.

Interface Masters Technologies is a long term Cavium partner and leading provider of high speed networking solutions focused on Gigabit, 10 Gigabit, 40 Gigabit and 100 Gigabit Ethernet networking solutions. For over 20 years, Interface Masters Technologies has been providing innovative networking solutions with customization services to OEMs, large enterprises and sophisticated end users. Interface Masters Technologies provides Ethernet switches, appliances, server adapter cards with high port density, networking offload and bypass functionality. Company headquarters are located in San Jose, CA with satellite offices in Hong Kong and Europe.