

Interface Masters



Innovative Network Solutions

OVERVIEW

Interface Masters Technologies presents Tahoe 8822, a highly flexible and expandable 1U networking appliance with the lowest OPEX. It is based on Cavium 64-bit ARMv8 technology. It supports DPDK for applications that require highly efficient data processing. Tahoe 8822 supports CN82xx family of processors. It features a small form factor, twelve 1/10 GE SFP+ ports, an SD card, and two USB 3.0 host ports. Customization services are offered.

Interface Masters Technologies provide support for the Cavium SDK on multiple Linux distributions. Additional software and firmware enables rapid application development. Interface Masters offers Layer 1 and 2 supports as well as software application development capabilities.

Target applications include:

- Network Security Appliances such as Unified Threat Management (UTM),
- Intrusion Detection Systems (IDS),
- Intrusion Prevention System (IPS),
- Data Loss Prevention (DLP) and
- Content Management Systems (CMS),
- Networking Offload assist,
- SSL/IPSec offload processing,
- WAN optimization,
- Application Delivery Controllers and custom networking appliances.



Product Currently in Development - Photo For Placement Only

PRODUCT FEATURES

CPU

- Cavium OCTEON TX CN8240 (8 Core at 600 / 800 / 1,000 / 1,200 MHz)
- Cavium OCTEON TX CN8250 (12 Core at 600 / 800 / 1,000 / 1,200 MHz)

DRAM

- Two of DDRIII SODIMM, up to 16GB ECC

None Volatile Memory

- SPI NOR Flash
- eMMC
- SATA 3.0

I/O Interfaces

- 12 x 1/10GE SFP+ ports
- 1 x 10/100/1000 management port
- 1 x RS232 console port
- 2 x USB 3.0

Functions

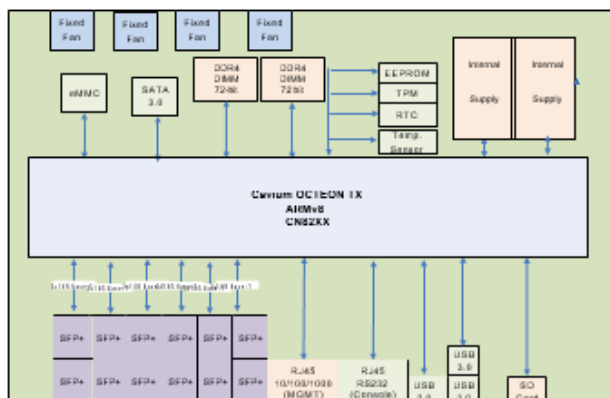
- Real time clock
- Temperature sensor
- Optional TPM

Power Supplies

- Two internal redundant power supplies

Operating System

- Linux Cavium SDK



Block Diagram of Tahoe 8822

ENVIRONMENTAL	
Operating Temperature	0° to 40 °C
Storage Temperature	-40° to +85°C
Operating Humidity	10 to 90%, relative humidity non-condensing
Storage Humidity	5 to 95% relative humidity non-condensing

DIMENSIONS		
	Inches	Millimeter
Length	10.00	254
Height	1.73	44
Width	7.50	190

OPTIONAL ACCESSORIES	
Tahoe8822-ACS02	19" Rack mounting tray

ORDERING INFORMATION	
Part Number	Description
Tahoe8822-CN8240-600	Tahoe8822 with OCTEON TX II CN8240 at 600 MHz
Tahoe8822-CN8240-800	Tahoe8822 with OCTEON TX II CN8240 at 800 MHz
Tahoe8822-CN8240-1000	Tahoe8822 with OCTEON TX II CN8240 at 1000 MHz
Tahoe8822-CN8240-1200	Tahoe8822 with OCTEON TX II CN8240 at 1200 MHz
Tahoe8822-CN8250-600	Tahoe8822 with OCTEON TX II CN8250 at 600 MHz
Tahoe8822-CN8250-800	Tahoe8822 with OCTEON TX II CN8250 at 800 MHz
Tahoe8822-CN8250-1000	Tahoe8822 with OCTEON TX II CN8250 at 1000 MHz
Tahoe8822-CN8250-1200	Tahoe8822 with OCTEON TX II CN8250 at 1200 MHz

CUSTOMIZATION SERVICES

Hardware, Firmware, Linux O/S and application code development services available.



ABOUT INTERFACE MASTERS TECHNOLOGIES, INC.

Interface Masters Technologies is a long term Cavium partner and leading provider of high speed networking solutions focused on Gigabit, 10 Gigabit, 40 Gigabit and 100 Gigabit Ethernet networking solutions. For over 20 years, Interface Masters Technologies has been providing innovative networking solutions with customization services to OEMs, large enterprises and sophisticated end users. Interface Masters Technologies provides Ethernet switches, appliances, server adapter cards with high port density, networking offload and bypass functionality. Company headquarters are located in San Jose, CA with satellite offices in Hong Kong and Europe.