

## Interface Masters



Tahoe 1420 ISO View

### OVERVIEW

Tahoe T1420 is a powerful 1U hybrid networking appliance designed for high-security applications and optimized for deep data inspection.

The Tahoe 1420 hybrid system is based on a NXP / Freescale T4240 main processor and Intel x86 64 co-processor. The T4240 Q or IQ advanced, multicore processor combines 12 dual-threaded power architecture processor cores with high-performance datapath / network interface acceleration.

Target applications include Network Security Appliance, Unified Threat Management (UTM), Intrusion Prevention Systems (IPS), Intrusion Detection Systems (IDS) and Data Loss Prevention (DLP).

Interface Masters Technologies provides support for the LINUX distribution. Additional software and firmware enables rapid application development. Interface Masters Technologies offers level 1 and 2 support as well as software application development capabilities.

### PRODUCT FEATURES

#### NXP / Freescale Sub-System

- NXP / Freescale T4240 12 core @ 1.8GHz
- Quad-port 1/10G SFP+
- Octal 100/1000 copper ports
- Dedicated RS-232 console port
- Dedicated 10/100/1000 MGMT port
- USB host interface
- 1 x PCI-e Gen 2
- SDHC card slot (optional FIPS 201-2 compliance)
- High-precision system clock (Precision Time Protocol)
- Temperature sensor
- Battery holder

#### Intel x86 Sub-System

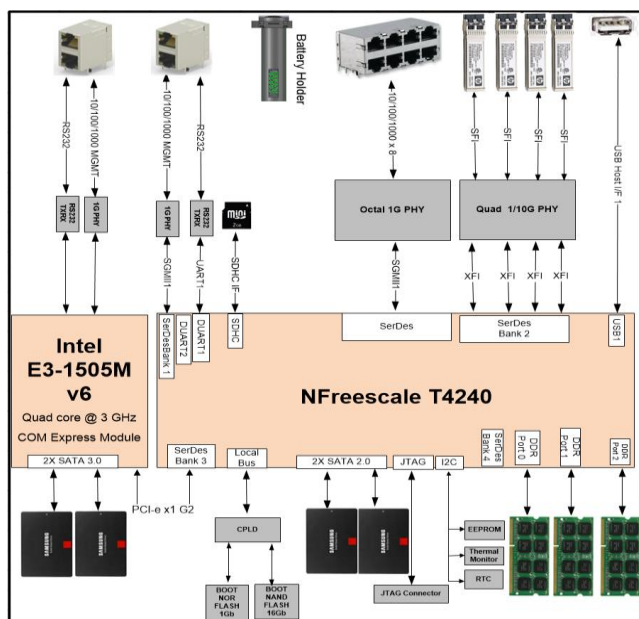
- Intel E3-1505M V6
- Two SODIMM DDR4 slots (up to 32GB)
- Dedicated RS-232 console port
- Dedicated 10/100/1000 MGMT port
- 4 x PCI-e Gen 3

#### Optional Security

- Optional tamper/intrusion detection circuitry (supported by rechargeable battery)
- Optional FIPS compliance
- Optional GPS receiver
- Optional Tamper/intrusion resistant chassis

#### Power Supplies, Fans and Other

- Redundant hot-swap AC power supplies
- Three field replaceable fans
- Ability to configure with up to four high-capacity SATA SSD drives.
- RoHS/REACH compliance
- FCC class A and CE certification



Block Diagram of Tahoe 1420

ENVIRONMENTAL	
Operating Temperature	0° to 45 °C (32° to 113°F)
Storage Temperature	-20° - 65°C (-4°F to 149°F)
Operating Humidity	5 to 85%, non-condensing
Airflow	200+LF/m

ORDERING INFORMATION	
Part Number	Description
Tahoe 1420	Hybrid appliance based Freescale/NXP T4240 and Intel E3-1505M V6 COM Express Type 6 Module. Quad dual-port 1/10G SFP+.

DIMENSIONS (Preliminary)		
	Inches	Millimeter
Length	27.0	685.8
Height	1.75	44.5
Width	16.8	426.7

POWER CONSUMPTION	
Typical	Maximum
TBD	300W

## CUSTOMIZATION SERVICES

Hardware, Firmware, Linux O/S and application code development services available.



## ABOUT INTERFACE MASTERS TECHNOLOGIES, INC.

Interface Masters Technologies is a long term Cavium partner and leading provider of high speed networking solutions focused on Gigabit, 10 Gigabit, 40 Gigabit and 100 Gigabit Ethernet networking solutions. For over 20 years, Interface Masters Technologies has been providing innovative networking solutions with customization services to OEMs, large enterprises and sophisticated end users. Interface Masters Technologies provides Ethernet switches, appliances, server adapter cards with high port density, networking offload and bypass functionality. Company headquarters are located in San Jose, CA with satellite offices in Hong Kong and Europe.