

OCTEON II Powered
Low-Cost Desktop Networking Appliance

Interface Masters

TECHNOLOGIES

Innovative Network Solutions

OVERVIEW

Tahoe 8621 from Interface Masters Technologies is a compact, fan-less, and highly-flexible desktop appliance designed for installation market. The processor complex is built on a Cavium CN61xx processor. It features low power consumption, small form factor, and Eight SFPs with 1000Bx or 10/100/1000bT. A USB port can be used for console operation. The appliance supports two DC power input plugs with automatic failover.

Interface Masters provides support for the Cavium SDK on multiple Linux distributions. Additional software and firmware support enables rapid application development. Interface Masters offers Level 1 and 2 support as well as software application development capabilities.

Target application include Access Points, Network Security Appliances:

- Unified Treat Management (UTM)
- Intrusion Detection System (IDS)
- Intelligent Edge Appliance (IEA)
- Data Loss Prevention (DLP)
- Content Management System (CMS)
- Networking Offload Assist
- SSL/IPSec offload processing
- WAN Optimization
- Application Delivery Controllers
- Custom Networking Appliances



Tahoe 8621 (ISO View)

PRODUCT FEATURES

CPU

- Cavium OCTEON II CN6120
(2 Core at 800 / 1,000 / 1,200 MHz)
- Cavium OCTEON II CN6130
(4 Core at 800 / 1,000 / 1,200 MHz)

DRAM

- DDRIII SODIMM, Up to 4 GB ECC

Non-Volatile Memory

- SPI NOR Flash, eMMC, SD Card Slot

I/O Interfaces

- Eight SFP cages with 10/100/100bT
- One RJ45 management port
- One USB 2.0
- Two USB 3.0 Type-A

Functions

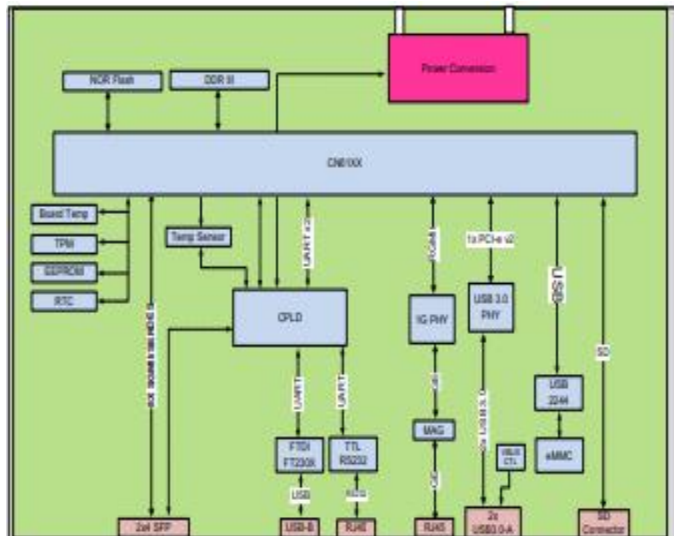
- Real time clock
- Temperature sensor
- Optional TPM
- EEPROM

Power Supply

- Two Extend ON power supply

Other

- Linux CAVIUM SDK



Block Diagram of Tahoe 8621

ENVIRONMENTAL	
Operating Temperature	0° to 40 °C
Storage Temperature	-40° - 85°C
Operating Humidity	10 to 90% RH, non-condensing
Storage Humidity	5 to 95% RH, non-condensing

ORDERING INFORMATION	
Part Number	Description
Tahoe8621-111	Tahoe 8621 CPU CN6120 CPU Speed 800MHZ DRAM Size 32G

DIMENSIONS		
	Inches	Millimeter
Length	9.91	251
Height	1.75	44.45
Width	7.50	190

CUSTOMIZATION SERVICES

Hardware, Firmware, Linux O/S and application code development services available.



ABOUT INTERFACE MASTERS TECHNOLOGIES, INC.

Interface Masters Technologies is a leading provider of high-speed networking solutions focused on 1/10 /25/40/100/200 Gigabit Ethernet networking solutions. For over 25 years, Interface Masters Technologies has been providing innovative networking solutions with customization services to OEMs, large enterprises and sophisticated end users. Interface Masters Technologies provides Ethernet switches, appliances, server adapter cards with high port density, networking offload and bypass functionality. Company headquarters are located in San Jose, CA with satellite offices in Hong Kong and Europe.

Address: 150 East Brokaw Rd., San Jose, CA 95112
 Phone: 408-441-9341
 Fax: 815-364-0888
 Email: sales@interfacemasters.com
 Web: www.interfacemasters.com

Copyright © 2019 Interface Masters Technologies, Inc.
 Product specifications subject to change without notice
 Rev G

Interface Masters
 TECHNOLOGIES
 Innovative Network Solutions