

Interface Masters

TECHNOLOGIES

Innovative Network Solutions



Tahoe 2748-6C modular 1U switch (ISO View)

OVERVIEW

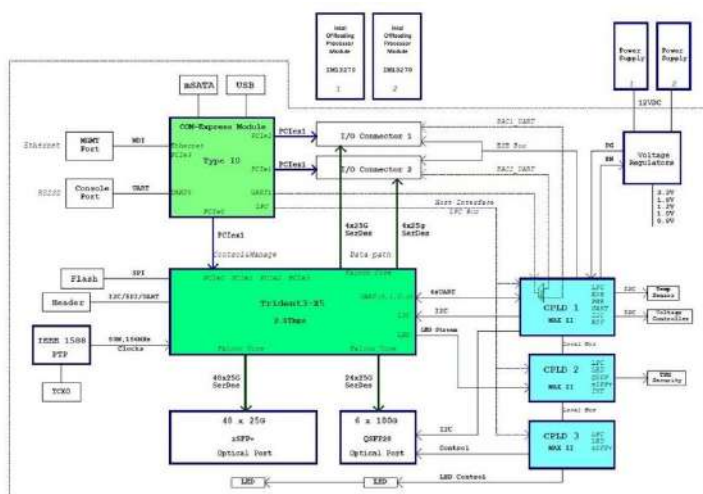
Interface Masters presents Tahoe 2748-6C, a modular 1U switch appliance based on Broadcom’s Trident 3 switch fabric and managed by an Intel x86 control plane.

Tahoe 2748-6C comes with an x86 COM-Express module-based processor. For flexibility, the system architecture enables users to select a control plane processor for the best optimal solution.

In standard configuration, Tahoe 2748-6C supports six (6) ports of 100/40G QSFP28, forty-eight (48) ports of 10/25G SFP+.

Software configurations include white box with ONIE and a complete SDK tool set for custom development. OpenSwitch support is currently in development. OpenFlow and software partner solutions are available.

Interface Masters proudly designs and manufactures all our products in the USA.



Block Diagram of Tahoe 2748-6C

Product Features

Broadcom Trident 3 Switch Fabric

- 6 ports of 100G QSFP28
- 48 ports of 10/25G SFP+

Intel Control Plane

- Powerful x86 control plane

Dual Redundant Hot-Swappable Power Supplies

- High-efficiency power supplies (AC/DC or DC/DC)

Field Replaceable Fans

- Field replaceable fans

Management Interfaces

- 10/100/1000 Management Port
- RS-232 CLI interface

Security

- Standard Trusted Platform Module (TPM)
- Optional security (FIPS 104-2 Level 3, GPS, tamper proofing)

Other

- Optional IEEE-1588 PTP support

Software

- ONIE – Open Network Install Environment
- SDK Broadcom tool set (with complete hardware specific SDK tools for custom development)
- Custom development and support available

ENVIRONMENTAL	
Operating Temperature	0° to 45 °C (32° to 113°F)
Storage Temperature	-20° - 65°C (-4°F to 149°F)
Operating Humidity	5 to 85%, non-condensing
Airflow	100+lf/m

ORDERING INFORMATION	
Part Number	Description
Tahoe 2748-6C	Broadcom Trident 3 switching appliance with 6 ports of 100/40G QSFP28, 48 ports of 10/25G SFP+. Powerful Intel x86 control plane.

DIMENSIONS (Preliminary)		
	Inches	Millimeter
Length	24.25	615.95
Height	1.75	44.45
Width	17.25	438.15

PRELIMINARY POWER CONSUMPTION	
Typical	Maximum
Application Dependent	230W (Peak Estimated)

CUSTOMIZATION SERVICES

Hardware, Firmware, Linux O/S and application code development services available.



ABOUT INTERFACE MASTERS TECHNOLOGIES, INC.

Interface Masters Technologies is a leading provider of high-speed networking solutions focused on 1/10/25/100/200 Gigabit Ethernet networking solutions. For over 25 years, Interface Masters Technologies has been providing innovative networking solutions with customization services to OEMs, large enterprises, and sophisticated end users. Interface Masters Technologies provides Ethernet switches, appliances, server adapter cards with high port density, networking offload and bypass functionality. Company headquarters are located in San Jose, CA with satellite offices in Hong Kong and Europe.